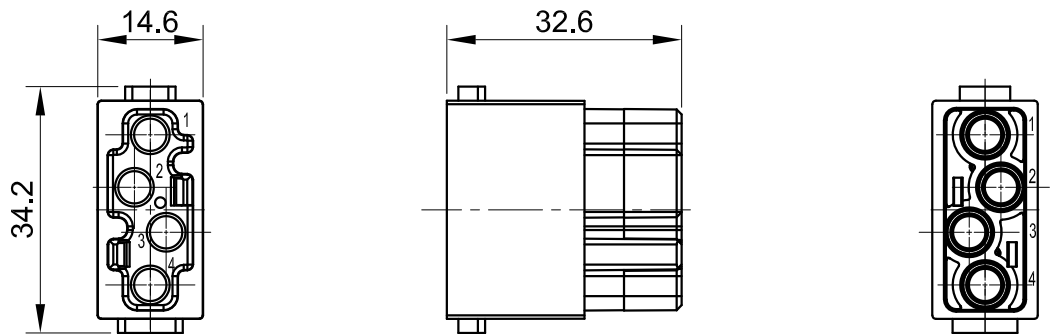
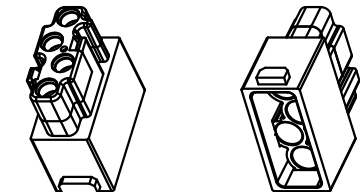








	1	2	3	4	5	6															
A							A														
B							B														
C	<p>Technical data:</p> <ul style="list-style-type: none"> - No. of contact: 4 - Description: Multi-module - Gender: Female - Rated current: 1.5A - Rated voltage: 50V - Insulation resistance: $\geq 10^{10}\Omega$ - Contact resistance: $\leq 10\text{m}\Omega$ - Impedance: 50Ω, 75Ω - Limiting temperature: -40 ... +125$^{\circ}\text{C}$ - Material(insert): Polycarbonate - Color(insert): RAL 7032(pebble grey) - Material(locking): Cooper alloy - Material(contacts): Cooper alloy, PBFE/PBTB/PI - Mating cycles: ≥ 500 - Material flammability class acc. to UL94: V-0 - RoHS: Compliant - Specifications: IEC61984, EN60664-1 <p>技术数据:</p> <ul style="list-style-type: none"> - 针数: 4 - 描述: 多模块 - 公母类型: 母头 - 额定电流: 1.5A - 额定电压: 50V - 绝缘阻抗: $\geq 10^{10}\Omega$ - 接触电阻: $\leq 10\text{m}\Omega$ - 电阻抗: 50Ω, 75Ω - 极限温度: -40 ... +125$^{\circ}\text{C}$ - 材料(插芯): 聚碳酸酯 - 颜色(插芯): RAL 7032(卵石灰) - 材料(插芯): 铜合金 - 材料(插芯): 铜合金,PBFE/PBTB/PI - 插拔次数: ≥ 500 - 材料阻燃性等级符合UL94: V-0 - RoHS: 符合豁免标准 - 规格: IEC61984, EN60664-1 						C														
D	<table border="1" data-bbox="985 1324 2172 1516"> <tr> <td data-bbox="985 1324 1411 1396">  All Dimensions in mm Original Size DIN A4 </td> <td data-bbox="1411 1324 1635 1396">Date 2022-4-19</td> <td data-bbox="1635 1324 1859 1396">Drawing No. TC6777355</td> <td data-bbox="1859 1324 2083 1396">Rev. A00</td> <td data-bbox="2083 1324 2172 1396">Scale 1:1</td> </tr> <tr> <td data-bbox="985 1396 1411 1516" rowspan="2">  InKonn (Suzhou) Electric Technology Co.,Ltd. </td> <td data-bbox="1411 1396 1635 1460">Part No. 10 38 004 2221</td> <td data-bbox="1635 1396 1859 1460">Created by Shuxu Huang</td> <td data-bbox="1859 1396 2083 1460">Checked by Yiyi Luo</td> <td data-bbox="2083 1396 2172 1460">Page 1/1</td> </tr> <tr> <td colspan="4" data-bbox="1411 1460 2172 1516">Type Name IMM-004D-CF</td> </tr> </table>						 All Dimensions in mm Original Size DIN A4	Date 2022-4-19	Drawing No. TC6777355	Rev. A00	Scale 1:1	 InKonn (Suzhou) Electric Technology Co.,Ltd.	Part No. 10 38 004 2221	Created by Shuxu Huang	Checked by Yiyi Luo	Page 1/1	Type Name IMM-004D-CF				D
 All Dimensions in mm Original Size DIN A4	Date 2022-4-19	Drawing No. TC6777355	Rev. A00	Scale 1:1																	
 InKonn (Suzhou) Electric Technology Co.,Ltd.	Part No. 10 38 004 2221	Created by Shuxu Huang	Checked by Yiyi Luo	Page 1/1																	
	Type Name IMM-004D-CF																				
	1	2	3	4	5	6															